

## 6. Specifications

Model MKA-			600R(A)	750R(A)	850R(A)
Air Volume	High	m <sup>3</sup> /h	1000	1250	1400
		CFM	590	740	820
	Med	m <sup>3</sup> /h	850	1060	1190
		CFM	500	620	700
	Low	m <sup>3</sup> /h	720	900	1010
		CFM	420	530	590
Cooling Capacity (Hi/Med/Lo)		kW	5.7/4.73/3.96	7/5.62/4.72	7.27/6.46/5.71
Heating Capacity (Hi/Med/Lo)		kW	9.66/7.72/6.27	11.55/9.24/7.51	12.42/9.93/8.07
Electrical Auxiliary Heater (EAH)		W	2100	2100	2850
Power Input		W	125	130	150
Noise (Hi/Med/Lo)		dB(A)	45/41/36	46/42/37	47/43/38
Water Flow		l/min	16.4	20	20.8
Water Pressure Drop		kPa	23.8	25.2	27
Fan Motor	Type		Low noise 4-speed fan motor		
	Model		YDK80-6E	YDK80-6E	YDK90-6E
	Brand		Welling	Welling	Welling/Dayang
	Capacitor	uF	3.5		
	Quantity		1		
Fan	Type		Centrifugal, forward-curved Blades		
	Quantity		1		
Coil	Diameter	mm	Φ7		
	Row		2	2	2
	Tube pitch(a)xrow pitch(b)	mm	21×13.37		
	Fin spacing	mm	1.5		
	Fin type		Hydrophilic aluminium		
	Coil length x height x width	mm	1960×168×26.74	1960×168×26.74	1960×252×26.74
	Max. Working Pressure	MPa	1.6		
	Circuit		8	8	12
Panel	Net Dimension (W×H×D)	mm	950×45×950		
	Net Weight	kg	6		
	Packing Size (W×H×D)	mm	1035×90×1035		
	Gross Weight	kg	9		
Indoor Unit	Net Dimension (W×H×D)	mm	840×230×840	840×230×840	840×300×840
	Net Weight (without/with EAH)	kg	25/27	25/27	30.5/33
	Packing Size (W×H×D)	mm	900×237×900	900×237×900	900×307×900
	Gross Weight (without/with EAH)	kg	30/32	30/32	36.2/39
Pipe Connection	Water-inlet pipe	Inch	RC3/4"		
	Water-outlet pipe	Inch	RC3/4"		
	Drain pipe	mm	ODΦ32		

**Note:**1. The data is the performance in high speed with relevant static pressure.

2. Cooling Conditions: Entering Water 7°C, Temperature Rise 5°C, Entering Air Temperature 27°C DB, 19°CWB.

Heating Conditions: Entering Water 50°C, enter air temperature 20°C, the same water flow as the cooling conditions.

3. Noise is tested in full-anechoic test room.

## Specifications

Model MKA-			950R(A)	1200R(A)	1500R
Air Volume	High	m <sup>3</sup> /h	1600	2000	2550
		CFM	940	1180	1500
	Med	m <sup>3</sup> /h	1360	1700	2170
		CFM	800	1000	1280
	Low	m <sup>3</sup> /h	1150	1440	1840
		CFM	680	850	1080
Cooling Capacity (Hi/Med/Lo)		kW	8.22/7.39/6.54	10.39/9.25/8.2	12.9/11.51/10.21
Heating Capacity (Hi/Med/Lo)		kW	13.85/11.08/9	17.58/14.06/11.42	17.6/14.08/11.44
Electrical Auxiliary Heater (EAH)		W	2850	2850	/
Power Input		W	155	190	190
Noise (Hi/Med/Lo)		dB(A)	48/44/39	49/45/40	50/46/41
Water Flow		l/min	23.6	29.8	36.9
Water Pressure Drop		kPa	31.2	44	40
Fan Motor	Type		Low noise 4-speed fan motor		
	Model		YDK90-6E	YDK90-6E	YDK90-6E-1
	Brand		Welling/Dayang	Welling/Dayang	Welling/Dayang
	Capacitor	uF	3.5		
	Quantity		1		
Fan	Type		Centrifugal, forward-curved Blades		
	Quantity		1		
Coil	Diameter	mm	Φ7		
	Row		2	2	3
	Tube pitch(a)xrow pitch(b)	mm	21×13.37		
	Fin spacing	mm	1.5		
	Fin type		Hydrophilic aluminium		
	Coil length x height x width	mm	1960×252×26.74	1960×252×26.74	2080×252×40.11
	Max. Working Pressure	MPa	1.6		
	Circuit		12	12	12
Panel	Net Dimension (W×H×D)	mm	950×45×950		
	Net Weight	kg	6		
	Packing Size (W×H×D)	mm	1035×90×1035		
	Gross Weight	kg	9		
Indoor Unit	Net Dimension (W×H×D)	mm	840×300×840		
	Net Weight (without/with EAH)	kg	30.5/33	30.5/33	35
	Packing Size (W×H×D)	mm	900×307×900		
	Gross Weight (without/with EAH)	kg	36.2/39	36.2/39	41
Pipe Connection	Water-inlet pipe	Inch	RC3/4"		
	Water-outlet pipe	Inch	RC3/4"		
	Drain pipe	mm	ODΦ32		

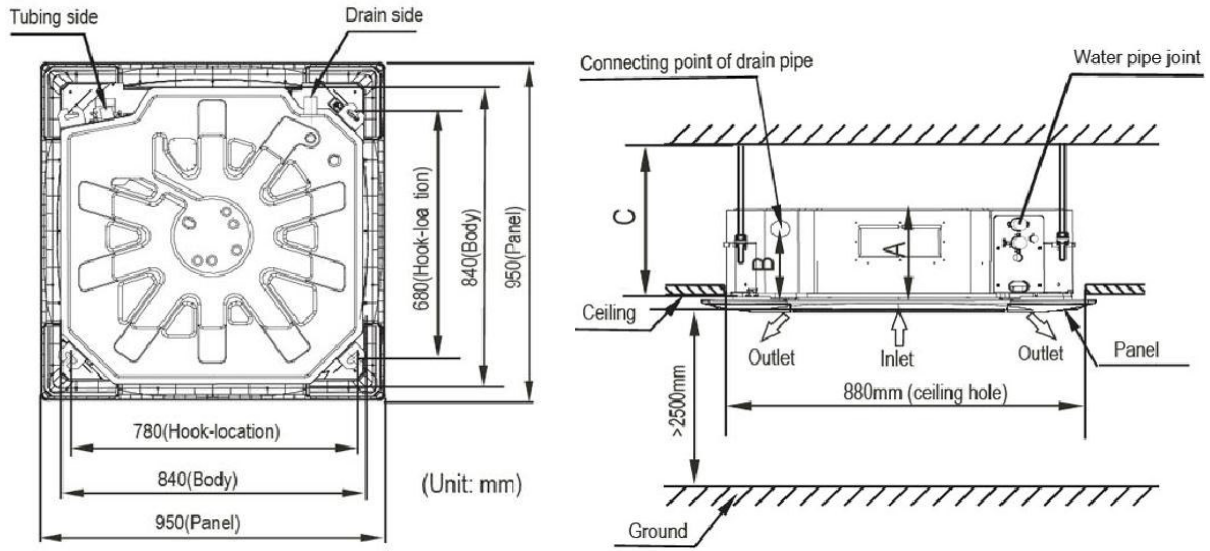
**Note:**1. The data is the performance in high speed with relevant static pressure.

2. Cooling Conditions: Entering Water 7°C, Temperature Rise 5°C, Entering Air Temperature 27°C DB, 19°CWB.

Heating Conditions: Entering Water 50°C, enter air temperature 20°C, the same water flow as the cooling conditions.

3. Noise is tested in full-anechoic test room.

### 7. Dimension



Model	A	B	C
600CFM, 750CFM	230	170	>260
850CFM, 950CFM, 1200CFM, 1500CFM	300	190	>330